

Single & Dual 1/4" 2-Conductor Patient Stations, Crest Replacements for Executone®



P/N PJ1S-W41C (Single Stainless Steel Faceplate)
 PJ1S-W41CPL (Single Plastic Faceplate)
 PJ2S-W42C (Dual Stainless Steel Faceplate)
 PJ2S-W42CPL (Dual Plastic Steel Faceplate)



PJ1S-W41C

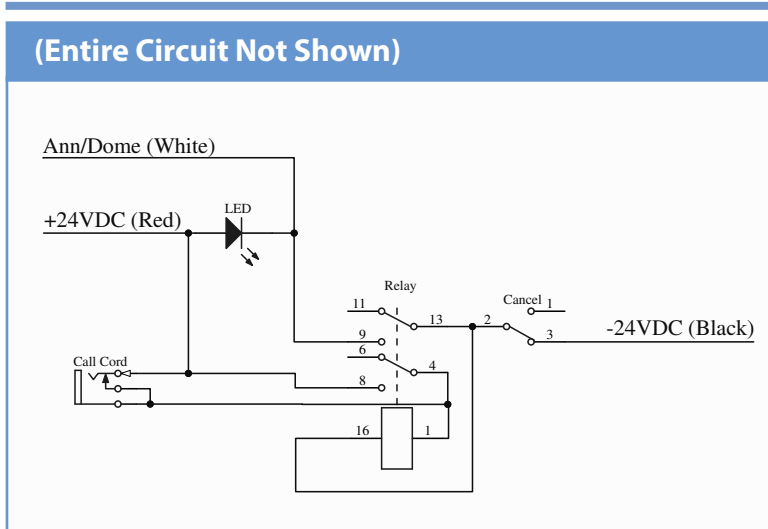


PJ2S-W42C

Technical Specifications

ELECTRICAL	
Voltage Rating:	24 VDC input
MECHANICAL	
Terminals:	Wire Leads
Mounting:	Fits on standard single/dual gang back box
SIZE MEASUREMENTS	
Plate:	4.5" x 2.75" (Single Gang) 4.5" x 4.562" (Dual Gang)

Electrical Schematic



Wire Color Comparison Table

Executone	Crest	Function
Red	Red	+24 VDC
Black	Black	-24 VDC
White	White	ANN/DOME

Typical Installation

1. Review wire designations on the old station
2. Replace the old station with Crest replacement station wire for wire
 Note: Review Wire Color Comparison table for reference
3. All unused wires must be capped
4. Always test nurse call station for correct operation before placing into service

Crest Technical Support: **1-800-328-8908**

Specifications subject to change without notice.
 Visit CrestHealthcare.com for additional technical documents.