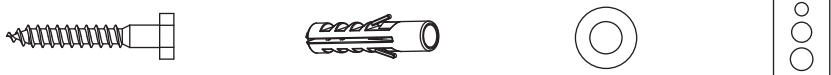


1. Technical Parameter

Max VESA: 600×400; Maximum load: 77 Lbs.

2. Parts List

Please check the parts in the package in comparison with the following list, make sure all of the parts are in the package. Never use defective parts, never replace part with different specification.



(A) M8x50 Self-tap Screw (4) (B) 10x50 Plastic Anchor (4) (C) Ø8.5 washers (4) (D) Square Washer (4)



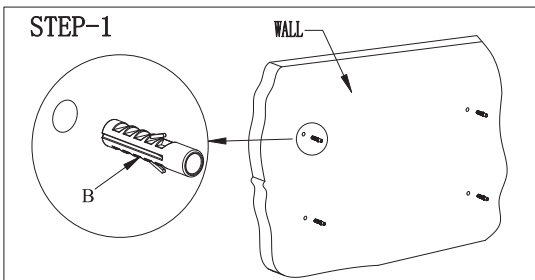
(E) Plastic Sleeve (4) (F) M5x16 screws (4) (G) M5x25 screws (4) (H) M6x16 screws (4) (I) M6x25 screws (4)



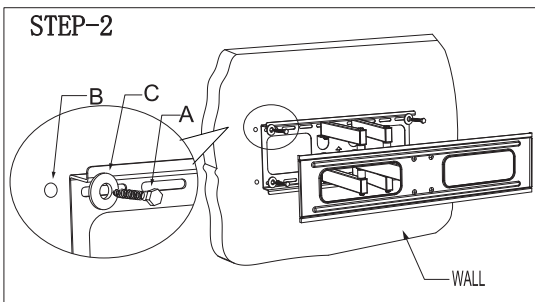
(J) M8x16 screws (4) (K) M8x25 screws (4) (L) Bubble level (1) (M) Cable clip (4)

3. Installation and operation instructions

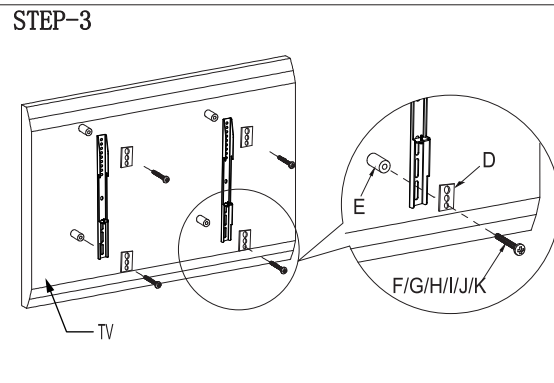
Note: please read the instructions carefully before installation!



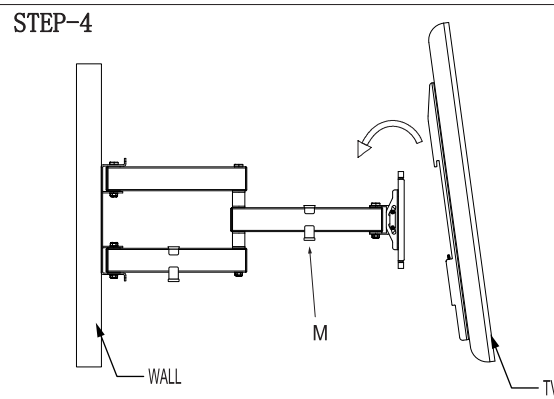
Step 1:
Use the wall plate as a template to drill six holes of dia. 10mm and 50mm depth in the wall. Then push the six plastic anchors into the holes.



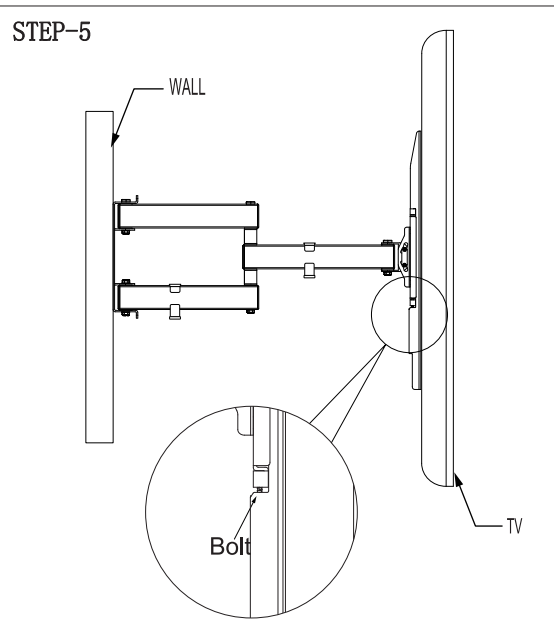
Step 2:
Install the wall plate. Put the wall plate on the wall, and then screw four lag bolts into each plastic concrete anchor through metal washer to fix the lag bolt, the plastic concrete anchor and the wall.



Step 3:
Install the bracket rail onto the back of the TV. Select suitable screws from the screw package according to the size of the holes in the back of TV. Fix the two hanging arms onto the back of TV by screws into the holes. Make sure equal height of the two hanging arms.



Step 4:
Hang the two monitor brackets on the wall plate, relax the hands until they are caught hold of.



Step 5:
Fix the two bolts under the monitor brackets inside of the wall plate and then screw them down.