	MODEL NUMBER: <b>PD168-079</b>	Document Number: PD196-432R2
	100mm x 200mm Wall Mount Installation Instructions	Page 1 of 2

**Scope:**

To install the PD168-079 wall mount kit to a PDi television.  
 Note: The maximum capacity for this mount is 50 pounds.

**Tool List:**

1. Safety glasses/goggles
2. P1 or P2 Phillips screwdriver
3. Level

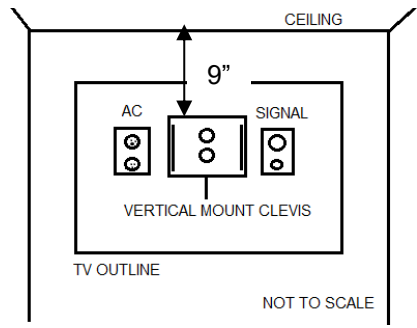
**Safety Steps**

1. Always wear safety glasses/goggles to prevent injury from debris.
2. Follow the installation/removal instructions for existing products.

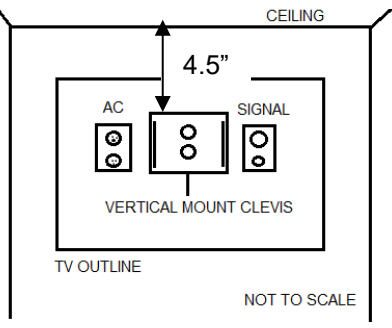
**Mounting Distances**

- 9" Minimum from clevis to ceiling for a PDi **PDI-A32A**
- 4.5" Minimum from clevis to ceiling for PDi **PDI-A24A**

**PDI-A32A MOUNTING DISTANCE**



**PDI-A24A MOUNTING DISTANCE**




**Bill of Material**

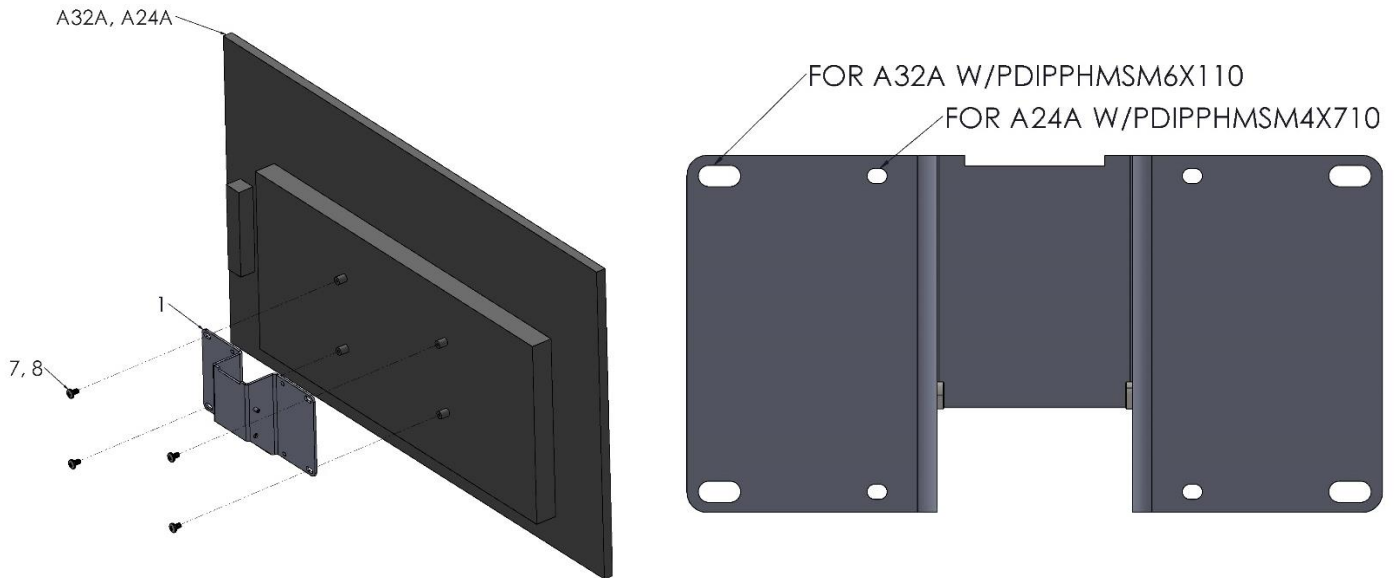
Item	Part Number	Description	Qty
1	PD181-900	100mm X 200mm Mounting Bracket to LCD	1
2	PD181-674	Vertical Wall Mount Bracket	1
3	PDIPPHMS103238	10-32 X .375 Phillips Pan Head Machine Screw	2
4	PDII TLW10	Washer, Internal Tooth Lock, #10	2
5	PDIFW25	1/4" Flat Washer	2
6	PDISLW25	1/4" Lock Washer	1
7	PDIPPHMSM6X110	M6 x 1 x 10mm Long Phillips Head Screw	4
8	PDIPPHMSM4X710	M4 x .7 x 10mm Long Phillips Head Screw	4

**Installation Procedure:**

**Step 1:**

Secure the **PD181-900** Mounting Bracket (#1) to the TV using four (4) **PDIPPHMSM6X110** screws (#7) for a **PDI-A32A** TV or four (4) **PDIPPHMSM4X710** screws (#8) for a **PDI-A24A** TV, as shown.

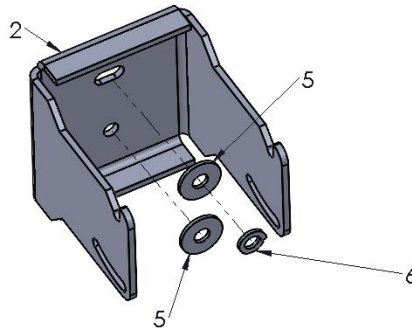
	MODEL NUMBER: <b>PD168-079</b>	Document Number: PD196-432R2
	100mm x 200mm Wall Mount Installation Instructions	Page 2 of 2



**Step 2:**

Attach **PD181-674** (#2) to the wall using customer supplied 1/4" fasteners following the mounting distance diagram dimensions. Place one (1) **PDIFW25** flat washer (#5) and one (1) **PDISLW25** lock washer (#6) on the top fastener and through the top slot in the bracket. Place the remaining **PDIFW25** flat washer (#5) on the bottom mounting fastener. Level the bracket using the top leveling slot and finish tightening fasteners.

Note: If not installing into a solid wood stud, PDi recommends using Snap Toggle Wall Anchors as outlined in Tech Bulletin **PDTCH-109**.



**Step 3:**

Carefully lift the set up and position the **PD181-900** Mounting Bracket (#1) inside the sides of **PD181-674** Wall Mount Clevis (#2) allowing the two side support pins of the **PD181-900** Mounting Bracket (#1) to rest in the two notches at the front of **PD181-674** Wall Mount Clevis (#2). Install two (2) **PDIPPHMS103238** screws (#3), and two (2) **PDITLW10** washers (#4) and finger tighten. Position the tilt of the TV as desired and tighten the **PDIPPHMS103238** screws (#3) until the TV holds in the desired position.

