

Receptacle Stations, Crest Replacement for Couch™

- HA-651C (1-Gang Stainless Steel Faceplate)
- HA-651CPL (1-Gang Plastic Faceplate)
- HA-651C-01 (2-Gang Stainless Steel Faceplate)
- HA-652C (Dual Receptacle, 1-Gang Plastic Faceplate)

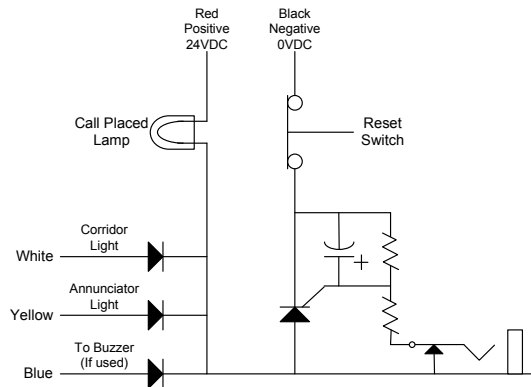


HA-651C

Technical Specifications

- Current & Voltage Rating DC:** 24 VDC
- Mounting:** Fits standard single gang electrical back box
- Plate Size:** 4.5" x 2.75" (1-Gang) or 4.5" x 4.562" (2-Gang)

Electrical Schematic



Function Table

Wire Color	Black	Yellow	White	---	Red	---	---	Blue
Couch Terminal Number	1	2	3	4	5	6	7	8
Function	Negative 0 VDC	To Annunciator Light	To Corridor Light	Remote Button	Positive 24 VDC	No Connection	No Connection	To Buzzer (if used)

Typical Installation

Connect wires from Crest station to those corresponding to the terminals on the original station. There is no provision for terminal 4 on Crest station. Crest HA-651C requires 1/4" phone plug call cord; Crest #7700W-7 or equivalent.

For two beds sharing the same patient station use double call cords; Crest #7700DW-7 or equivalent.

Crest Technical Support: 1-800-328-8908

Specifications subject to change without notice.
Visit CrestHealthcare.com for additional technical documents.