

# Patient Stations, Crest Replacement for Edwards® Lifeline Systems

7733CRJ (stainless 1-gang), 77733CRJPL (plastic 1-gang),  
7734CRJ (stainless 2-gang), 7734CRJPL (plastic 2-gang)



7733CRJ



7734CRJ

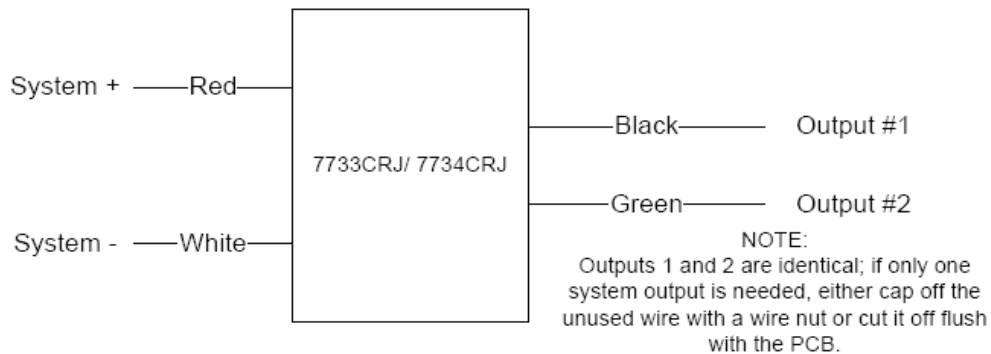
## Technical Specifications

<b>Current &amp; Voltage Rating:</b>	<b>24 VDC (28 VDC max)</b>
<b>Mounting:</b>	<b>Fits standard single or double gang back box</b>
<b>Plate:</b>	<b>4.5" x 2.75" (1-gang) 4.5" x 4.562" (2-gang)</b>

## Typical Installation

1. Connect station as shown below  
Red wire to System +  
White wire to System -  
Black wire to Corridor Pilot (switched output)  
Green wire is an additional switched output. If Green wire is not used it is recommended that it be capped off with wire nut or cut off flush at PCB
2. Note these designations on the wire terminal of Crest replacement station (see Function Table for description)
3. Always test all nurse call stations for correct operation (including cord out if applicable) before placing into service

## Function Table



**Crest Technical Support: 1-800-328-8908**

Specifications subject to change without notice.  
Visit [CrestHealthcare.com](http://CrestHealthcare.com) for additional technical documents.