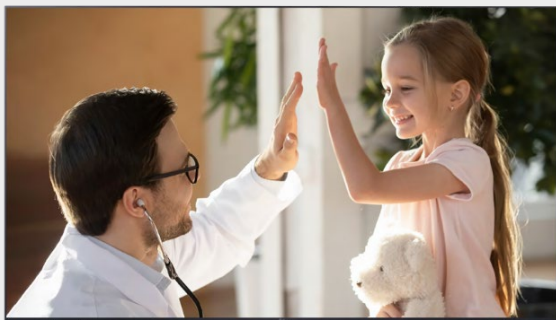




Hospital TV UN672M Series

UL-Listed Hospital TV

* All images in this datasheet are for illustrative purposes only.



UN672M Series

Screen Size	55" / 50" / 43"
Stand Type	No Stand
Resolution	3,840 × 2,160 (UHD)
Front Color	Ashed Blue
Broadcasting	ATSC, Clear QAM, Analog NTSC
Speakers	10 W + 10 W
Solution	Pro:Centric (Smart, Cloud, Direct, V)



Pillow Speaker Ready

The hospital TV is equipped with a compatible pillow speaker* interface, giving patients the ability to control the TV sound and video from their bed.

* Pillow speaker is not provided by LG. (sold separately)

Nurse Call System Ready

Through nurse call system provided by a pillow speaker* connected to LG hospital TV, staff can be called immediately for emergency.

UL Hospital Grade Listed

The hospital TV is designed for the healthcare and hospital environment meeting UL safety standards.



Slim Depth for a Sleek Look

With a slimmer* design, the UN672M series integrates smoothly into hospital interiors.

* Compared to LG's previous hospital TV UT672M series



Embedded b-LAN

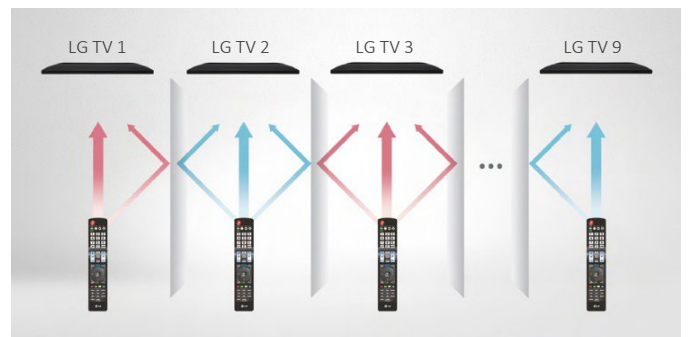
Hospital TV supports embedded *b*-LAN™, enabling PPV (Pay Per View) and VOD service without the need for a set-top box.



USB Cloning

USB data cloning makes managing multiple displays easy. Instead of setting up each display one by one, data can be copied to a USB* for one display, and be sent to the other displays through a USB plug-in.

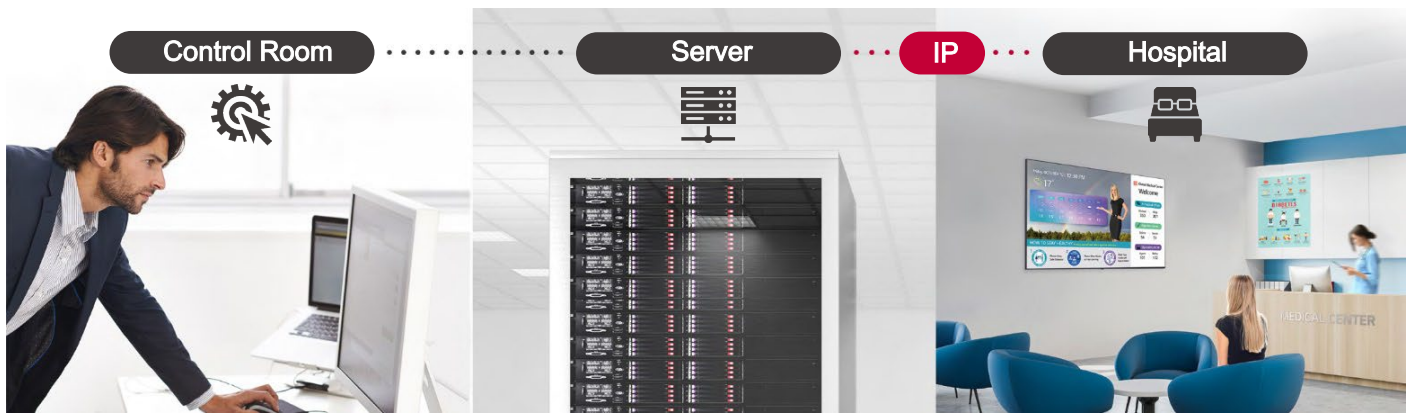
* USB is not provided by LG. (sold separately)



Multi-code IR

Multi-code IR* function eliminates any remote-control signal interaction between multiple TVs in one place. LG hospital TV supports this when used with the Multi-code IR remote control, so users can freely control their own TVs without disturbing the others.

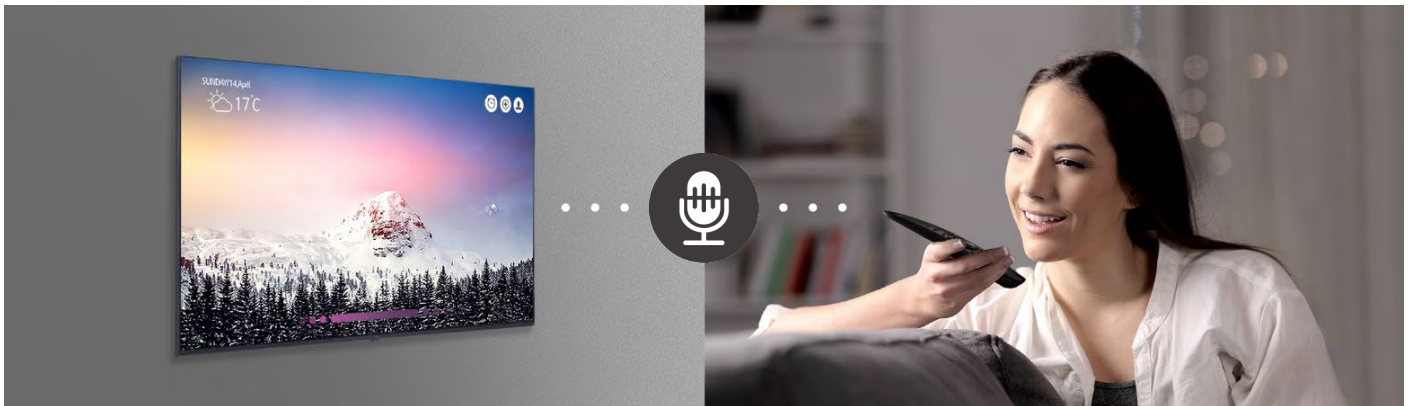
* Multi-code IR remote control is not provided by LG. (sold separately)



Pro:Centric Hospital Management Solution

The hospital content management solution Pro:Centric Direct offers easy and simple editing tools, making it easy to perform service and IP network-based remote management. The Pro:Centric Direct solution enables system integrators to edit their interface easily by providing customized interface and efficiently manages all LG hospital TVs in the hospital.

* Pro:Centric Direct solution is sold separately. Some features may not be supported based on PCD versions.



Voice Recognition Ready

For seamless interaction and user satisfaction, LG has applied voice recognition function to the UN672M series hospital TV. This feature makes it easy to control the TV without pressing the button of remote controls.

* Magic Motion Remote is required. (sold separately)

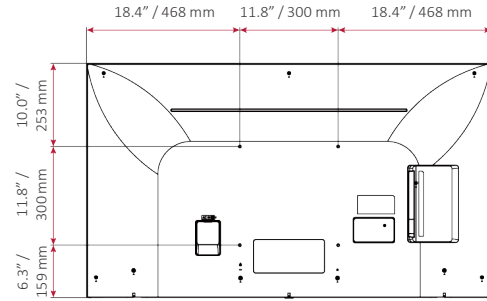
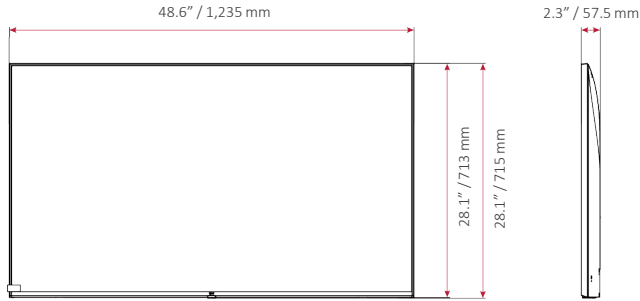


Pro:Idiom

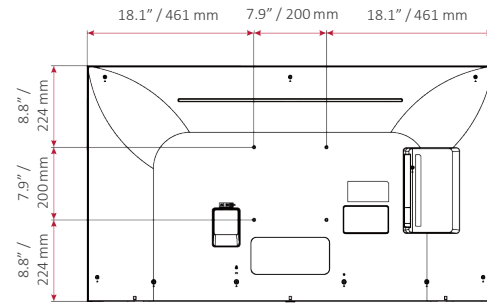
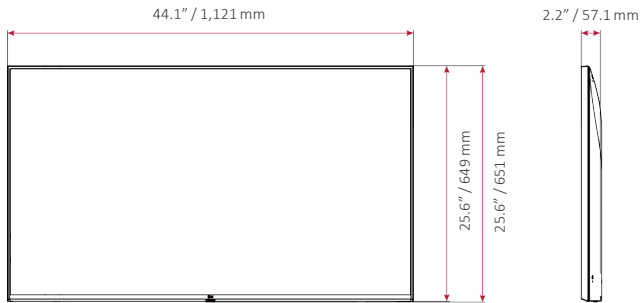
The UN672M series provides embedded Pro:Idiom decryption, unlocking access to high-value digital content with Pro:Idiom DRM (Digital Right Management) which prevents illegal copying of the content.

DIMENSIONS

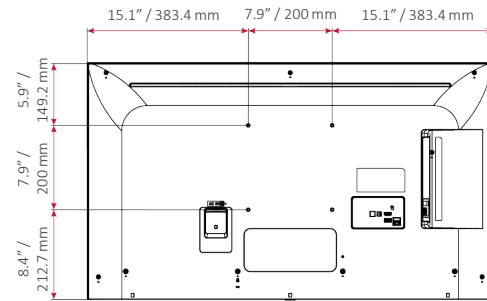
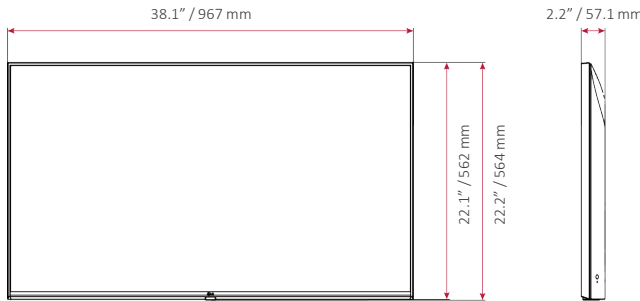
55"



50"



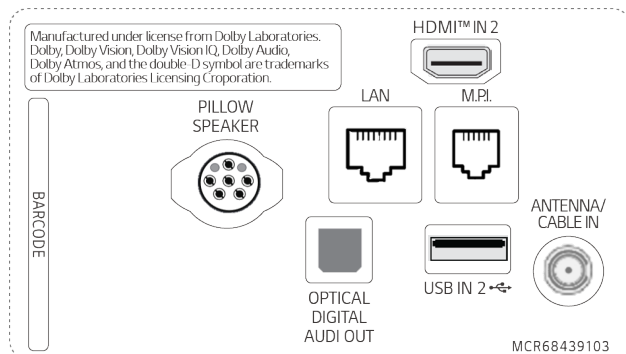
43"



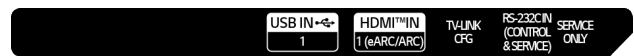
CONNECTIVITY

55" / 50" / 43"

Rear



Side



SPECIFICATIONS

		55UN672MOUB	50UN672MOUB	43UN672MOUB
Category	Category	Pro:Centric Smart	Pro:Centric Smart	Pro:Centric Smart
Design	Stand Type	No Stand	No Stand	No Stand
	Front Color	Dark Charcoal Gray	Dark Charcoal Gray	Dark Charcoal Gray
Display	Diagonal	55"	50"	43"
	Resolution	3,840 × 2,160 (UHD)	3,840 × 2,160 (UHD)	3,840 × 2,160 (UHD)
	Nano	No	No	No
Video	HDR Dolby Vision / 10 Pro / HDR HLG	No / Yes / Yes	No / Yes / Yes	No / Yes / Yes
	Game Optimizer	Yes	Yes	Yes
Audio	Speaker (Sound Output)	10 W + 10 W	10 W + 10 W	10 W + 10 W
	Speaker System	2.0 ch	2.0 ch	2.0 ch
	LG Sound Sync	Optical/Bluetooth wireless	Optical/Bluetooth wireless	Optical/Bluetooth wireless
	AI Acoustic Tuning	No	No	No
Broadcasting System	Analog	NTSC	NTSC	NTSC
	Digital (Terrestrial, Cable, Satellite)	ATSC / Clear QAM / IPTV	ATSC / Clear QAM / IPTV	ATSC / Clear QAM / IPTV
Hospitality Solution	Solution Type	Pro:Centric (Smart, Cloud, Direct, V)	Pro:Centric (Smart, Cloud, Direct, V)	Pro:Centric (Smart, Cloud, Direct, V)
	DRM	Pro:Idiom (Mobile, Lite)	Pro:Idiom (Mobile, Lite)	Pro:Idiom (Mobile, Lite)
Smart Features	webOS22, Smart Home (Launcher Bar), Quick Access, Web Browser, SDP Server Compatibility, SW Clock (World Clock / Alarm), SoftAP, Wi-Fi (802.11 a/b/g/n/ac), HDMI-ARC (HDMI1), Voice Recognition (Standalone / Solution), Wake on RF, Diagnostics (IP Remote), Simplink (HDMI-CEC) (1.4)			
Hospitality Features	Port Block, Insert Image, Instant ON, Auto Off / Sleep Timer, Energy Saving Mode, b-LAN Embedded, Required Approval (Hospital UL), Pillow Speaker, Anti-theft System (Kensington Lock)			
Connectivity	Set Side	HDMI (2.0), USB (2.0), TV-LINK CFG (3.5 mm stereo), Service Only (3.5 mm stereo), RS-232C In (3.5 mm TRRS)		
	Set Rear / Bottom	HDMI In (2.0), USB (2.0), RF In (Dual b-LAN), Digital Audio Out (Optical), RJ45, M.P.I. (RJ12), Pillow Speaker Interface (6 Pin)		
Mechanical	VESA Compatible (mm)	300 × 300	200 × 200	200 × 200
	Dimensions (W × H × D) / Weight	48.6 × 28.1 × 2.3 in. / 30.9 lbs. 1,235 × 715 × 57.5 mm / 14.0 kg	44.1 × 25.6 × 2.2 in. / 26.7 lbs. 1,121 × 651 × 57.1 mm / 12.1 kg	38.1 × 22.2 × 2.2 in. / 19.4 lbs. 967 × 564 × 57.1 mm / 8.8 kg
	Shipping Dimensions (W × H × D)	53.5 × 33.9 × 8.1 in. 1,360 × 860 × 207 mm	51.9 × 31.9 × 7.4 in. 1,317 × 810 × 188 mm	1,055 × 660 × 142 mm
	On Bezel Width (L/R/U/B)	12.8 / 12.8 / 12.8 / 19.9 mm	12.8 / 12.8 / 12.8 / 19.9 mm	12.8 / 12.8 / 12.8 / 19.9 mm
	Off Bezel Width (L/R/U/B)	6.9 / 6.9 / 6.9 / 18.4 mm	7.3 / 7.3 / 7.8 / 18.4 mm	6.9 / 6.9 / 6.9 / 18.4 mm
Electrical	Power Supply	100-240Vac, 50/60 Hz	100-240Vac, 50/60 Hz	100-240Vac, 50/60 Hz
	Max Power Consumption	163 W	135 W	119 W
	Standby Power Consumption	Less than 0.5 W	Less than 0.5 W	Less than 0.5 W
Warranty & Other	Warranty	2 Year Limited		
	UPC	1 95174 05814 5	1 95174 05794 0	1 95174 05793 3
	Certifications	UL, FCC		
	Accessories	Power Cable (1.8M, Straight Type)		

* Specifications are subject to change without notice. Please make sure to check the product manual for details about product usage.