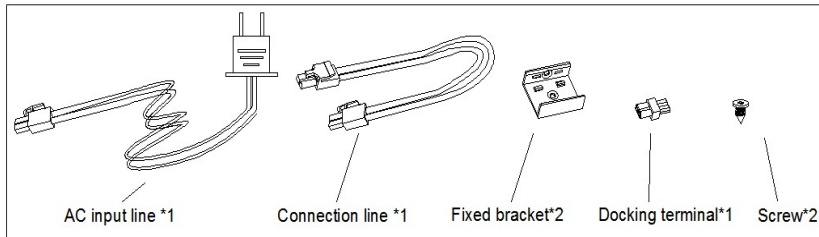


# LED Undercabinet Installation Instruction

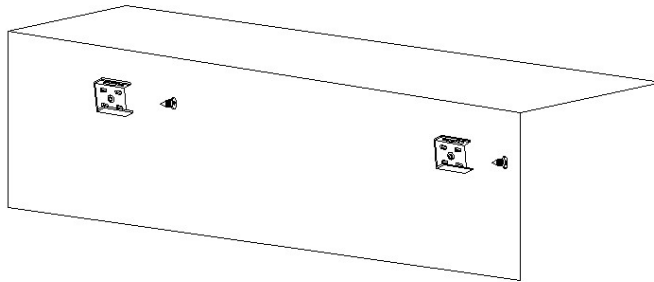
## NOTE:

1. Read instructions carefully before installation.
2. Install by a qualified electrician.
3. Make sure the power is OFF before starting installation or attempting any maintenance.
4. Application space is with no chemical compositions such as sulphur, acid, halogen etc.

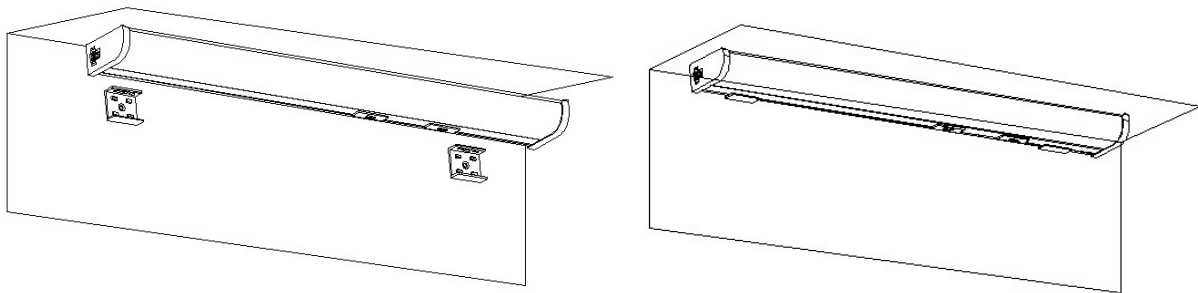
**STEP 1 :** Open the accessory package, take out the accessories as follows:



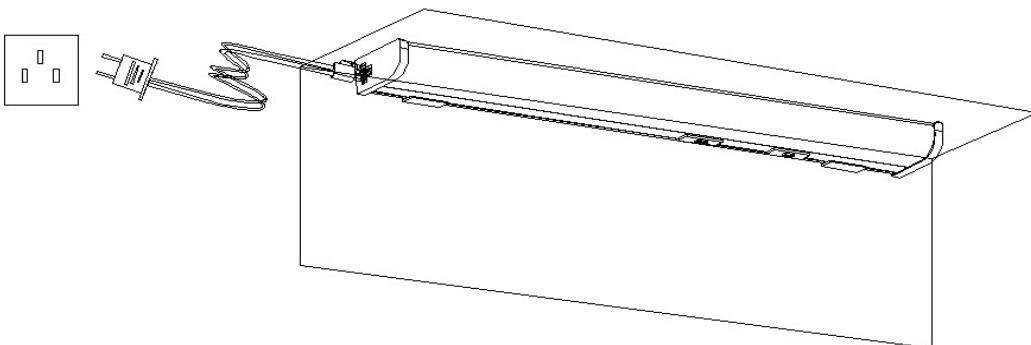
**STEP 2 :** Install the two fixed bracket on the cabinet or wall by two screws (provided).



**STEP 3 :** Fix the fixture to the bracket.

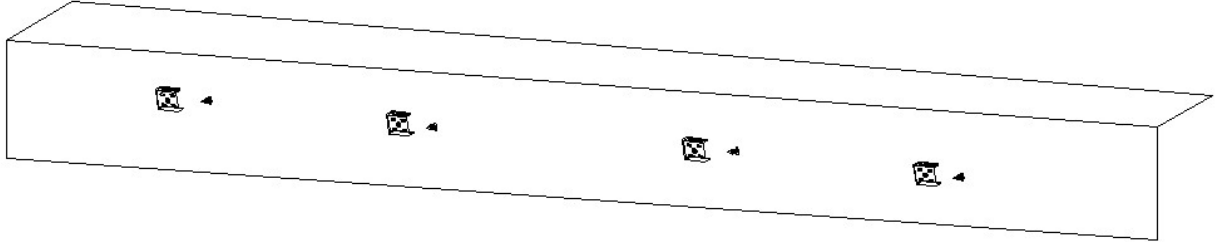


**STEP 4 :** Plug in the power plug to turn on the fixture.

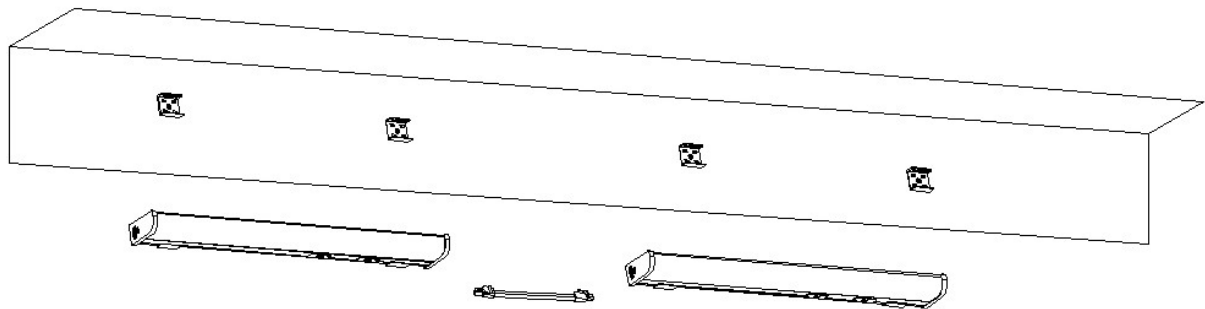


## Series Connection( Daisy Chain)

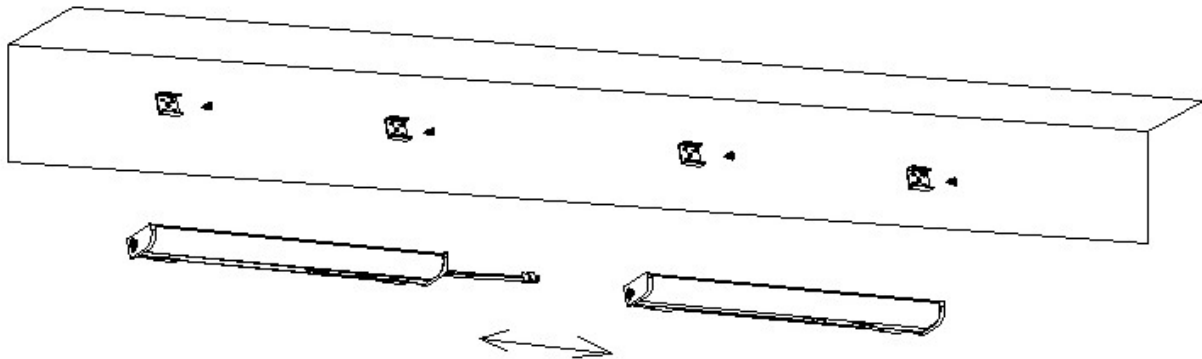
**STEP1 :** Install the brackets on the cabinet or wall by the screws(provided).



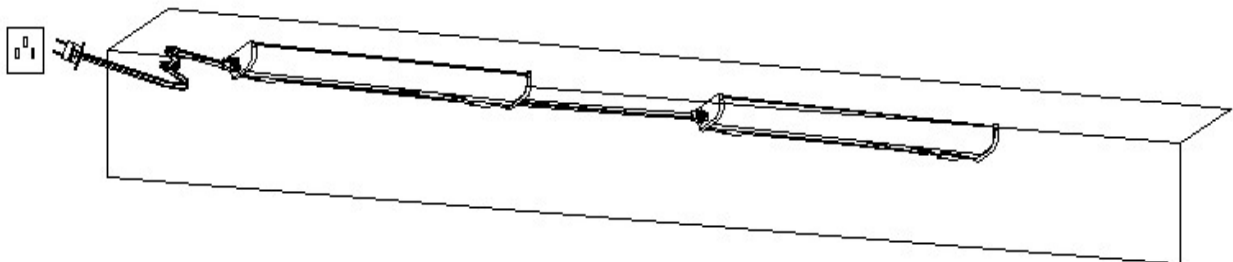
**STEP2 :** Use the jumper cable(daisy chain) to connect the fixtures.



**STEP3 :** Fix the fixtures to the brackets.

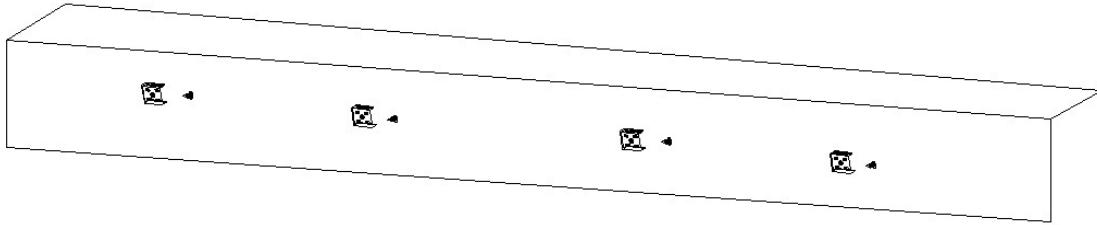


**STEP4 :** Plug in the power plug to turn on the fixture.

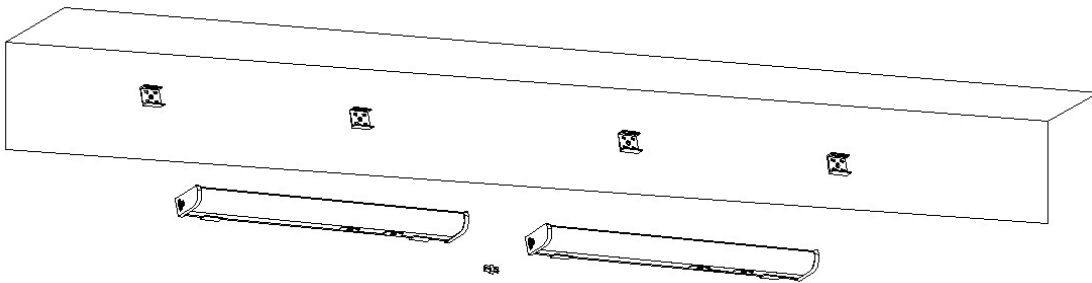


## Series Connection( Seamless)

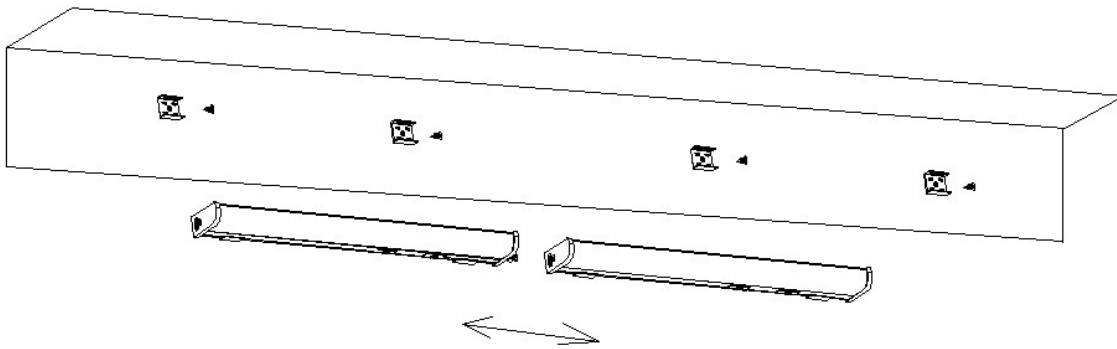
**STEP1 :** Install the brackets on the cabinet or wall by the screws(provided).



**STEP2 :** Use end-to-end connectors to link the fixtures together.



**STEP 3:** Fix the fixtures to the brackets.



**STEP4 :** Plug in the power plug to turn on the fixture.

