

SPECIFICATIONS INFORMATION

Spec Sheets for Aluminum Track and Hardware

Aluminum Track and Hardware Spec Sheet	2
Aluminum Track and Hardware Cut Sheet	3
Aluminum Track and Hardware Installation	4

Spec Sheets for Flexible Track and Hardware

Flexible Track and Hardware Spec Sheet.....	5
Flexible Track Cut Sheet	6

Care & Cleaning Instructions..... 7

Warranty..... 9

The logo for American Track Supply features a red star icon to the left of the word "AMERICAN" in large blue letters. To the right of "AMERICAN" are the words "TRACK SUPPLY.COM" in red, stacked vertically.

ARE PERFECT FOR:

- Laser labs
- Photo labs
- Security rooms
- Post offices
- Hospitals
- Clinics
- Prisons
- Universities
- Bathrooms
- Wet labs
- Photographers
- Government agencies
- Airport security
- University labs
- Science labs
- Test labs
- Sleep study labs
- Detention facilities
- Locker rooms
- ...and many more!**

Call **1-866-252-2568** and we can provide you with blackout curtains, track and hardware and roller shades to control your lighting applications.

SPECIFICATIONS FOR ALUMINUM TRACK & HARDWARE

MANUFACTURER:  **AMERICAN** TRACK SUPPLY.COM

TRACK AND HARDWARE MATERIAL AND ASSEMBLY:

1. Track to be 29/32" X 11/16" x .050 extruded 6063-T-5, anodized aluminum. Inner surface is center ridge-grooved. Tracks can be bent or curved. Bends will be approx. 12" radius. The track shall also serve as an intergral part of the valance assembly. Supply with hook carriers, end-caps, knock-outs, and connectors, of the sleeve type. Carrier body and wheels of Celcon. Eye and hook of .093 bright basic wire, nickel plated.
2. Double curtains installation (in specific uses): Provide (2) parallel tracks for double curtain installation. Where (2) separate tracks meet they shall overlap each other approximately 24 inches.

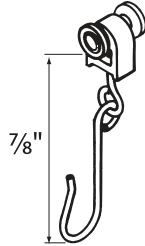
Call **1-866-252-2568** and we can provide you with blackout curtains, track and hardware and roller shades to control your lighting applications.

ALUMINUM TRACK & HARDWARE CUT SHEET

No. 9600 Aluminum Track

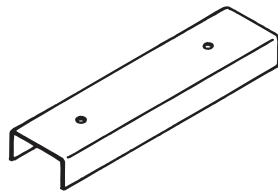
Carriers

No. 9616/061 Carrier (No. 9633) with attached hook. Eye and hook of .093 bright basic wire, nickel plated.



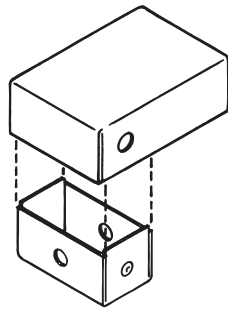
Track Splices

No. 9612



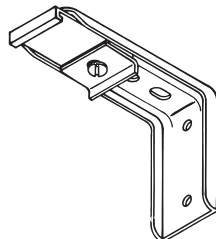
End Stops

No. 9610 End Stop



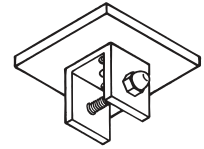
No. 9611 Pull-out

No. 9637 Support

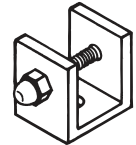


No. 9600 Aluminum Track

No. 9623 Ceiling Flange



No. 9624 Track Socket

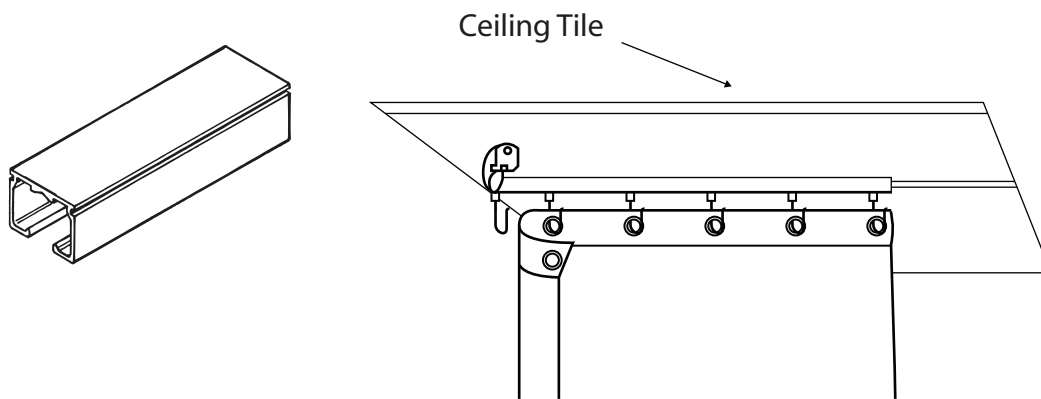
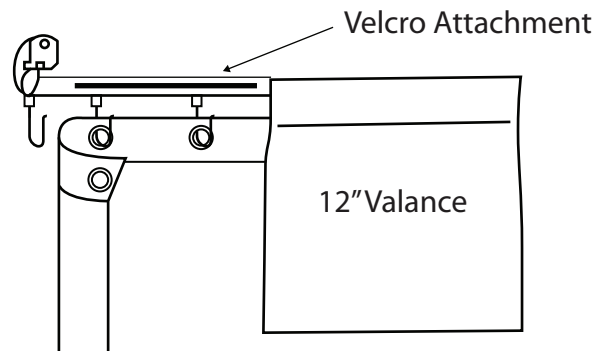


No. 9620/12 Suspension Tubing
3/4" x 3/4"



Call 1-866-252-2568 and we can provide you with blackout curtains, track and hardware and roller shades to control your lighting applications.

ALUMINUM TRACK & HARDWARE INSTALLATION



Call **1-866-252-2568** and we can provide you with blackout curtains, track and hardware and roller shades to control your lighting applications.

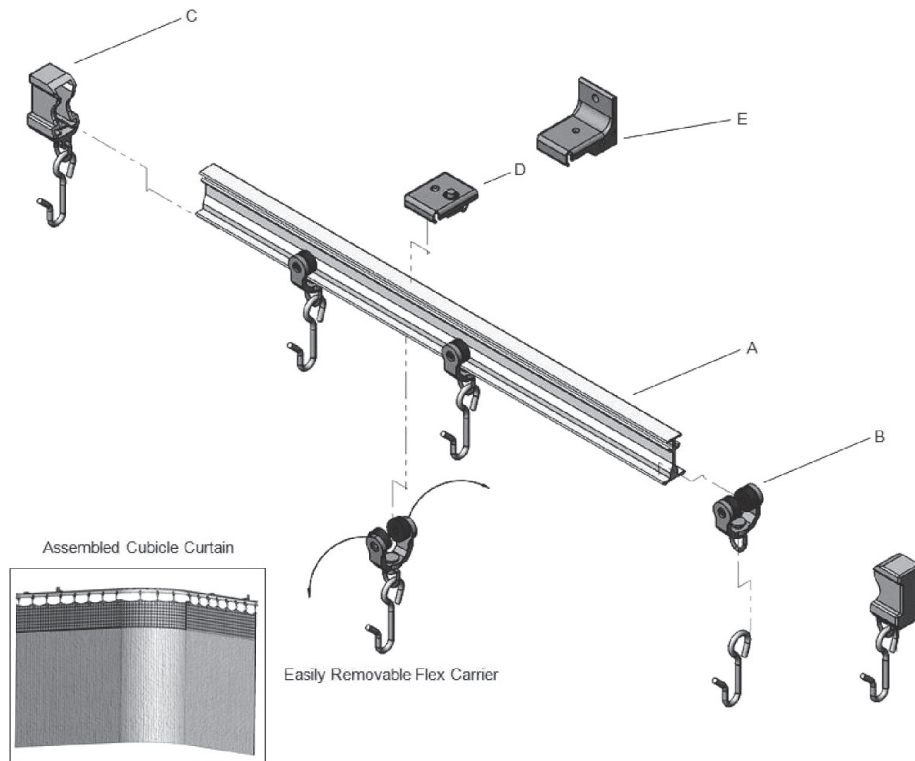
FLEXIBLE TRACK AND HARDWARE MATERIAL AND FABRICATION

1. Our Flexible track is constructed out of steel and resin composite materials. This allows the track the ability to hold vertical loads while also bending horizontally to any curve.
2. One piece of continuous track can be ordered in a roll of up to 164 ft.
4. It can be custom cut and bent by hand on-site into any shape or angle to fit the layout and shape of a curvature.
5. It can be wall mounted or ceiling mounted.
6. Near silent design will ensures soft, gentle and quiet hand operation without causing any uncomfortable noises.
7. Flexible tracks and hardware will not rust or distort under normal application.
8. Double curtains installation (in specific uses): Provide (2) parallel tracks for double curtain installation. Where (2) separate tracks meet they shall overlap each other approximately 24 inches.

Call **1-866-252-2568** and we can provide you with blackout curtains, track and hardware and roller shades to control your lighting applications.

FLEXIBLE TRACK & HARDWARE CUT SHEET

Flexible track requires bracket that is to be installed directly into the grid of a drop ceiling or via wall bracket.



PARTS

- A. Cubicle Track – Steel and Resin Composite Materials
- B. Flex Carrier with nylon Wheels and 360 Degree Rotating Hook
- C. Track End Caps
- D. Ceiling Mount Installation Bracket
- E. Wall Mount Installation Bracket

SYSTEM FEATURES

- Easy-to-bend and easy-to-clean track
- Steel and Resin Composite Materials inhibits the growth of bacteria, mold and mildew
- Carriers are self-lubricating with nylon wheels for extra smooth and quiet traversing
- Spring loaded installation brackets allow for simple and easy installation and removal of the track
- Track comes in custom sizes and various kits

Call **1-866-252-2568** and we can provide you with blackout curtains, track and hardware and roller shades to control your lighting applications.

CARE AND CLEANING FOR ALUMINUM TRACK & HARDWARE

CUBICLE TRACKS:

Cubicle tracks require very little maintenance. If carriers do not move smoothly, check the track for binding. If the track is clear of debris, spray the inside of the track with a light coating of silicone spray.

Be careful not to spray the curtains and wipe any excess spray from the track.

Call **1-866-252-2568** and we can provide you with blackout curtains, track and hardware and roller shades to control your lighting applications.

LIMITED WARRANTY

LIMITED WARRANTY

AmericanTrackSupply.com, Inc. ("AmericanTrackSupply.com") warrants (this "Limited Warranty") to the AmericanTrackSupply.com Authorized Customer (the "Customer") that its products are free from defects in material and workmanship (except as provided below) for the following specified warranty periods (each, a "Warranty Period"):

- 25 years for the interior project for which it was originally purchased from the date of shipment on the mounting hardware, headbox, clutch, fascia, shade fabric, valance, curtain grommets, curtain and curtain track.
- 5 years from date of shipment on the controls, electronic accessories and motors for the above products.

This Limited Warranty extends only to the Customer, and is not transferable. This Limited Warranty is applicable to products that are repaired or replaced for the balance of the Warranty Period or for ninety (90) days from the date the product is repaired or replaced, whichever is longer. If a product breaches this Limited Warranty, the Customer may return it to AmericanTrackSupply.com in accordance with the terms of the Return Policy, below, within a reasonable time after the Customer discovers the defect. Subject to the conditions and limitations set forth below (the "Excluded Items"), AmericanTrackSupply.com will, at its discretion, either repair or replace any part of the product that proves defective by reason of improper workmanship or materials. If the Customer returns a product to AmericanTrackSupply.com and AmericanTrackSupply.com determines that this Limited Warranty does not apply, AmericanTrackSupply.com will not return the product to the Customer unless the Customer requests it to do so and pays all expenses of shipment. If Customer does not request and pay for AmericanTrackSupply.com to return the product, it will become AmericanTrackSupply.com's property. Any product covered by this Limited Warranty (as determined by AmericanTrackSupply.com) will, after repair or replacement, be shipped back to the Customer at AmericanTrackSupply.com's expense.

AMERICANTRACKSUPPLY.COM'S TOTAL LIABILITY UNDER THIS OR ANY OTHER WARRANTY, EXPRESS OR IMPLIED, IS LIMITED TO REPAIR, REPLACEMENT OR REFUND. REPAIR, REPLACEMENT OR REFUND ARE THE SOLE AND EXCLUSIVE REMEDIES FOR BREACH OF WARRANTY OR ANY OTHER LEGAL THEORY. IN NO EVENT SHALL AMERICANTRACKSUPPLY.COM BE LIABLE FOR ANY INCIDENTAL, INDIRECT OR CONSEQUENTIAL DAMAGES, WHETHER RESULTING FROM THE PURCHASE, USE, MISUSE, INABILITY TO USE OR INABILITY TO INSTALL THE PRODUCT OR FROM DEFECTS IN THE PRODUCT.

SOME STATES DO NOT ALLOW THE EXCLUSION OR LIMITATION OF INCIDENTAL AND CONSEQUENTIAL DAMAGES, SO THE ABOVE LIMITATION OR EXCLUSION MAY NOT APPLY. THIS LIMITED WARRANTY IS THE EXCLUSIVE WARRANTY GIVEN BY AMERICANTRACKSUPPLY.COM FOR THE PRODUCT AND IS IN LIEU OF ALL OTHER WARRANTIES. AMERICANTRACKSUPPLY.COM DISCLAIMS ALL OTHER WARRANTIES, WHETHER EXPRESS, IMPLIED OR STATUTORY, INCLUDING ANY WARRANTY OF MERCHANTABILITY, ANY WARRANTY OF FITNESS FOR A PARTICULAR PURPOSE AND ANY IMPLIED WARRANTIES ARISING FROM A COURSE OF DEALING OR USAGE OF TRADE. THIS WARRANTY SUPERSEDES ALL OTHER WARRANTIES, INCLUDING ANY WARRANTIES BASED ON ORAL REPRESENTATIONS.

THIS LIMITED WARRANTY GIVES THE CUSTOMER SPECIFIC LEGAL RIGHTS, AND THE CUSTOMER MAY HAVE OTHER RIGHTS WHICH VARY FROM STATE TO STATE.

LIMITED WARRANTY

EXCLUDED ITEMS

THIS LIMITED WARRANTY DOES NOT COVER DEFECTS CAUSED BY negligence; improper maintenance; improper storage; accident; misuse; installation not in accordance with AmericanTrackSupply.com's printed installation instructions; abuse; impact or other force, whether prior or subsequent to installation; operation in a manner contrary to design or use in a manner contrary to or in excess of AmericanTrackSupply.com's specifications, drawings or instruction; application other than intended use; use with electrical accessories or parts, including switches, relays, or other accessory components not previously approved in writing by AmericanTrackSupply.com; failure to comply with all of AmericanTrackSupply.com's written instructions and specifications; use for non-interior applications or exposure to outdoor environmental conditions; improper cleaning, maintenance, care or repair; normal wear and tear; fire, lightning, tornadoes, or other acts of God; contact with liquid, water, rain, extreme humidity or heavy perspiration, sand, dirt or the like, extreme heat, or food; excessive electrical supply; abnormal mechanical or environmental conditions; unauthorized disassembly, repair or modification; service by unauthorized provider; installation of unapproved third party products; buyer's remorse. This Warranty also does not apply to any product on which the original identification information has been altered, obliterated or removed, or has been sold as second-hand. AmericanTrackSupply.com does not warrant any images or artwork reproduced, printed, or placed on shade cloth by AmericanTrackSupply.com or any other imaging supplier. AmericanTrackSupply.com is not responsible or liable for fading, discoloration, color shifts, or any other failure or defect in such images or artwork. AmericanTrackSupply.com does not warrant bead chains on any of its products. AmericanTrackSupply.com does not warrant against freight damage, concealed or otherwise. The Customer must contact the delivering carrier to report freight damage within 48 hours of receipt of product. Failure to report freight damages within the carrier's guidelines may result in the Customer bearing all costs. Failure to sign the delivery receipt acknowledges approval of the product as is and nulls the Customer's claim.