



Quam

SYSTEM 3

SURFACE MOUNT

8" O.D. Loudspeaker, 5W-25/70V Transformer

GENERAL DESCRIPTION

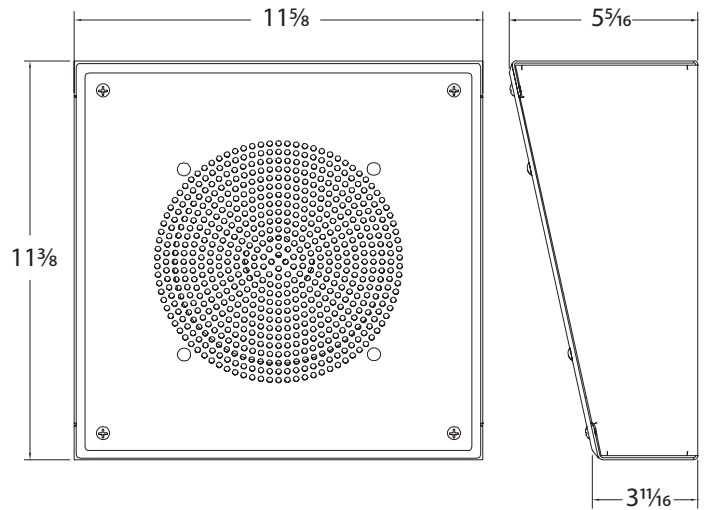
The **SYSTEM 3** is a complete loudspeaker system consisting of an 8C5PAX - 8" O.D. dual cone loudspeaker and a TBLU - 5W 25/70V transformer mounted on a BS8W - square, screw mount, steel baffle with a slanted, steel, open back, surface mount enclosure. White powder coat finish.

INTENDED USE - Indoor Environment

Program Material	Signal tones, voice, and music
Installation	Vertical surface mount, downward firing

AUDIO SPECIFICATIONS

Average Sensitivity	92 dB SPL, 1W/1M
Loudspeaker Power Rating	12W RMS EIA 426A Standard
Maximum Power Rating	15W @ 8 Ohms
Calculated Output	99 dB-SPL 5W/1M
Magnet Type & Weight	BeFe Ceramic, 5 oz. Nominal
Frequency Response	65 Hz - 17 kHz EIA 426A Standard
Nominal Coverage Angle	100° Included Angle -6 dB / 2 kHz, Half space
Audio Connection	7" Color-Coded Leads



SYSTEM COMPONENTS

Loudspeaker	8C5PAX
Transformer	5W-25/70V : 5 Tap, Color Coded Leads (5W, 2.5W, 1.25W, 0.63W, 0.31W)
Baffle	BS8W

Recommended construction sequences, installation instructions, and A&E Specifications are available in various formats in the Specs and Diagrams section at: www.QuamSpeakers.com



QUAM-NICHOLS COMPANY, INC.
 234 East Marquette Road, Chicago, IL. 60637
 t: 1-800-NEED-NOW (800-633-3669)
 f: 1-888-NEED-NOW (888-633-3669)
 e: NeedNow@QNC.com
www.QuamSpeakers.com

©2017 Quam-Nichols Company reserves the right to make changes and/or improvements to its products at any time and without notice.