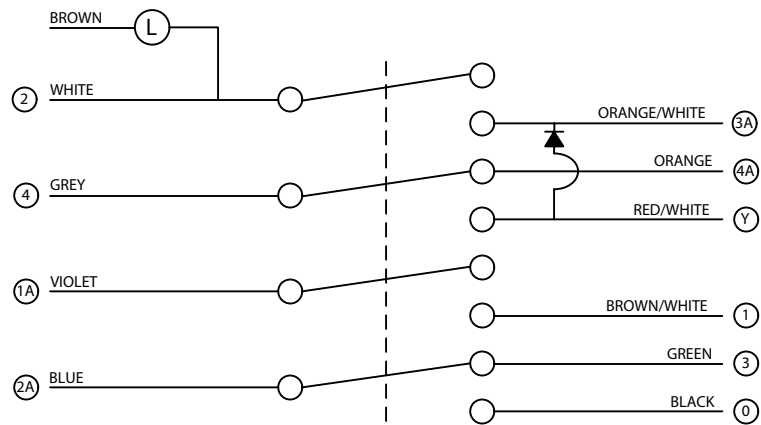


Schematic



Pullcord Station, Crest Replacement for Executone Wiring Diagram and Schematic