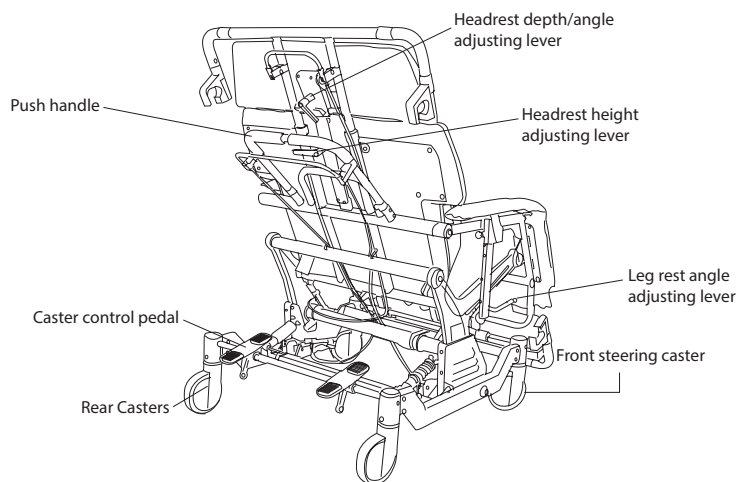
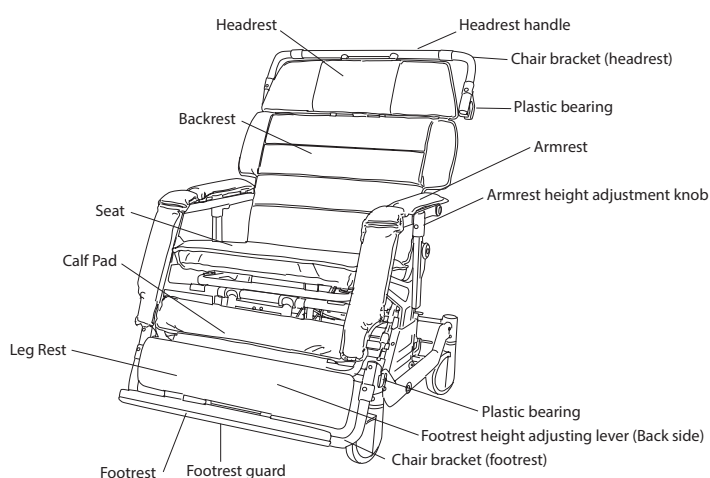


Quick Reference Guide

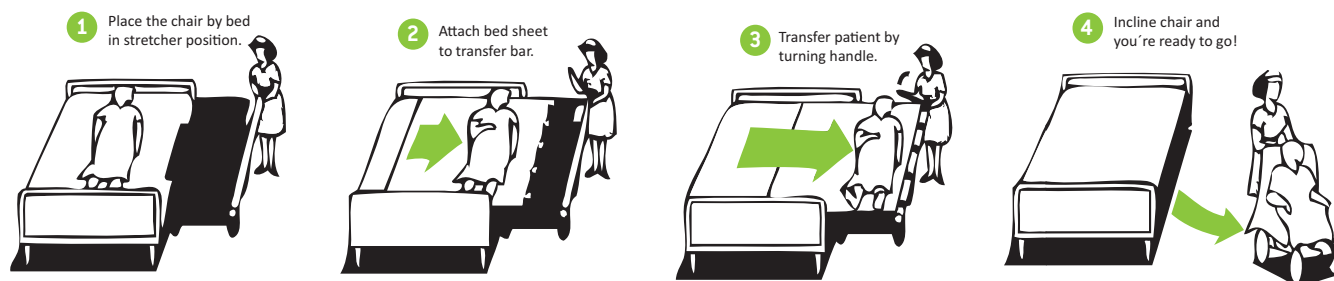
– Convertible Chairs

Description

Our convertible chair is an unique device that easily converts from a stretcher to an upright mobile chair in seconds. Its Tilt-in-Space capability allows for increased blood circulation helping to prevent skin breakdown and other complications of immobility. It provides a no-lift solution for moving, repositioning, and transferring patients in the safest possible manner.



Transfer a patient: TIP: Always lock wheels on chair before attempting a transfer.



Tilting (down or up):

<p>Hold the headrest handle with one hand and squeeze the tilting lever and push handle together with other. Push both slowly down or lift slowly upward. (keeps patient in the desired angle)</p>	<p>Release the tilting lever when the tilting reaches the desire angle.</p>	<p>TIP: It is recommended to maintain holding handle until after you release any levers. Always check that chair has locked into the position that has been set.</p>	

Quick Reference Guide

– Convertible Chairs

Converting (Chair or fully reclined):

<p>Hold the headrest handle with one hand and squeeze the reclining lever and push handle together with other. Push both slowly down or lift slowly upward to desired position.</p>	<p>TIP: It is recommended to put chair in full upright position (no tilt) before reclining unless the trendelenburg position is desired.</p>

Caster Control Pedal Function:

<p>All Wheel Lock – locks all wheels in place. Pedal tilted away from chair. (check that the chair is locked after applying brake)</p>	<p>Free Wheel Mode – allows wheels to move independently. Pedal is flat.</p>	<p>Steering Mode – locks two front wheels in position to facilitate steering. Pedal is tilted towards chair.</p>

Headrest Support:

<p>Headrest depth and angle can be adjusted by turning levers. This allows for headrest to telescope in and out.</p>	<p>Hold the middle part of the headrest support with one hand and turn one side at a time slowly inward with the other hand.</p>

Adjusting Levers:

<p>Headrest height, headrest depth/angle, footrest height are three levers in the same form with two functions: Function 1 - Tighten and loosen (clockwise to tighten) Function 2 - Change lever position in a tightened state.</p>



IMPORTANT! This quick reference guide does not replace the user manual which can be downloaded at www.humancaregroup.com

AUSTRALIA
 Unit 9, 271 Wells Road
 Chelsea Heights, Victoria 3196
 Phone:- +61 3 8773 1111
 Fax:- +61 3 9773 4008
 Email: info.au@humancaregroup.com

CANADA
 10-155 Colonnade Road
 Ottawa, ON K2E 7K1
 Phone:- 613.723.6734
 Fax:- 613.723.1058
 Email: info.ca@humancaregroup.com

SWEDEN
 Årstaängsvägen 21C
 117 43 Stockholm
 Phone:- +46 8 665 35 00
 Fax:- +46 8 665 35 10
 Email: info.se@humancaregroup.com

UNITED STATES
 4210 S. Industrial Drive, Suite 160
 Austin, TX 78744
 Phone:- 512.476.7199
 Fax:- 512.476.7190
 Email: info.us@humancaregroup.com

99518-Quick reference guide-Convertible Chairs-Rev02 (2015-05-18)