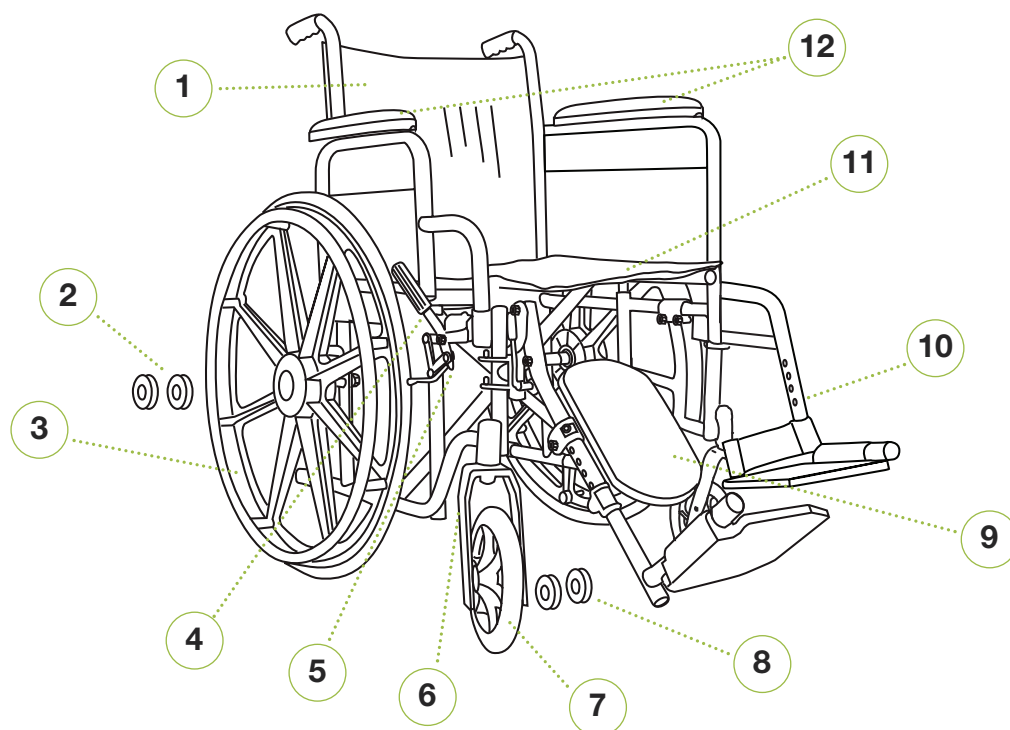


# Replacement Parts For Crest Charisma™ Wheelchairs



- |   |                        |    |  |
|---|------------------------|----|--|
| 1 | Back Upholstery        | 8  | Caster Bearings                                |
| 2 | Rear Wheel Bearing Kit | 9  | Upholstered Leg Rest Pads                      |
| 3 | Rear Wheel Assembly    | 10 | Footrests & Leg Rest Assemblies                |
| 4 | Rubber Tip             | 11 | Seat Upholstery                                |
| 5 | Wheel Lock Assemblies  | 12 | Upholstered Desk & Full Length<br>Armrest Pads |
| 6 | Caster Fork            |    |  |
| 7 | Caster Wheel Assembly  |    |  |

